

APPLICATION:

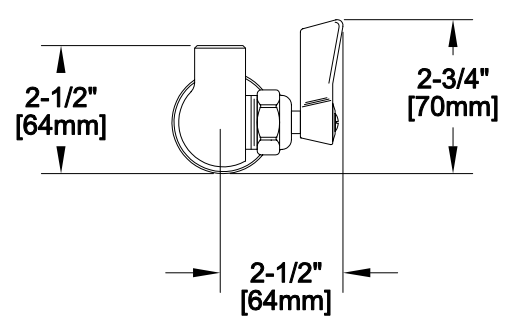
JOB NAME:

QUANTITY:                      ITEM NO.

PRODUCT NAME:  
SINGLE WALL MOUNT CONTROL VALVE  
RIGID OUTLET

SPECIAL CONFIGURATION  
 CHECK BASE MODEL AND OPTIONS

MODEL:  
■ 2700



OPTIONS OR MODIFICATIONS:

HANDLES (CROSS OR WRIST) CIRCLE STYLE

VANDAL RESISTANT KIT

OTHER \_\_\_\_\_

FEATURES

CONTROL VALVE

- \* SINGLE WALL
- \* SWIVELLING SEAT DISK
- \* STEM - RIGHT HAND
- \* STAINLESS STEEL SEAT
- \* STAINLESS STEEL SEAT SCREW
- \* STAINLESS STEEL HANDLE SCREW
- \* HOT AND COLD INDEX BUTTONS

SYSTEM LIMITS

- \* TEMP: 40°F MIN. TO 140°F MAX.
- \* PRESSURE: 200 PSI MAX. STATIC

SHIPPING WEIGHT

- \* 1.75 LBS

**ROUGH-IN:**

